



BUILDING REGULATIONS PART L

HEATING COMPLIANCE GUIDE

(Ref Sections 8 to 11)

**HOT WATER CIRCULATORS
INTERLOCK - PUMP OPTIONS
INDEPENDENT TIME CONTROL**



Johnson & Starley *for*
**Hi-Spec Warm Air Heaters
with Integral Hot Water Circulator**



**Johnson
& Starley**

OVERVIEW

The purpose of this document is to provide information for certified and registered Gas Installers and Service Engineers in the wiring of controls on Johnson & Starley Hi-Spec Warm Air Heaters with integral Circulator Water Heaters.

Please Note:-

Sections 1 to 4 give original circuit diagrams and thus controls on heater models which are installed in countries and applications not covered by the Buildings Regulation Part L (England and Wales).

Sections 5 and 7 give circuit requirements for intermediate controls and pump options for pumped hot water circuits and interlock.

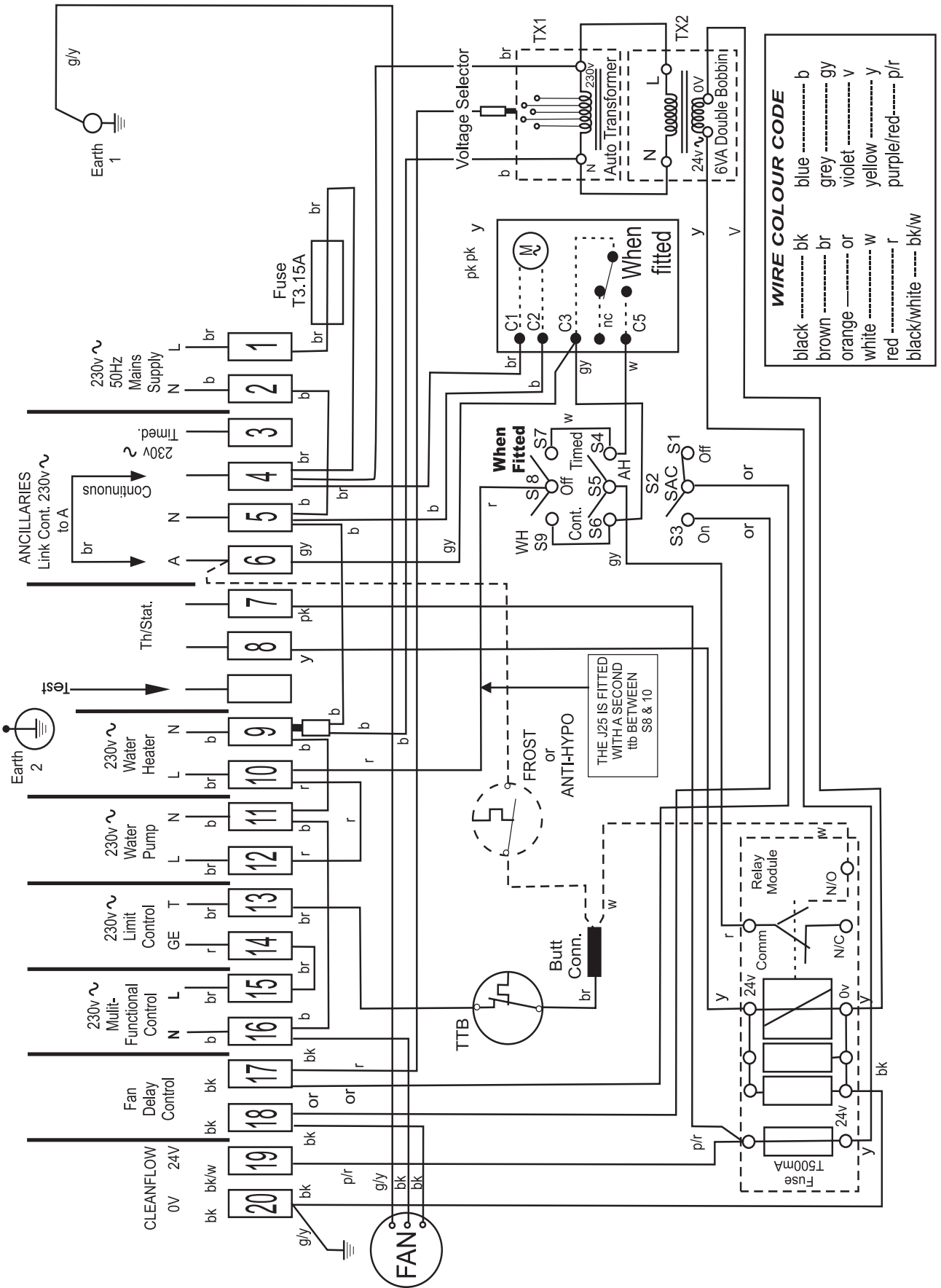
Section 8 and 11 give circuit requirements for fully independent hot water time control via a remote clock together with pump and cylinder-stat interlock control. This is for full compliance with Building Regulations Part L (England and Wales) and the Heating Compliance Guide.

CONTENTS

	Page
1. Original Circuit Diagram for Hi-Spec Basic J25, M31, J32 & J40 Heaters	4
2. Original Circuit Diagram for Hi-Spec System E-T J25, M31, J32 & J40 Heaters	5
3. Original Circuit Diagram for Hi-Spec Non-Modairflow J50 & J65 Heaters	6
4. Original Circuit Diagram for Hi-Spec Modairflow J50 & J65 Heaters	7
5. Factory Fitted Single Channel Clock, Pump & Cylinder Stat for Hi-Spec Basic & System E-T J25, M31, J32 & J40 Heaters	8
6. Factory Fitted Single Channel Clock, Pump & Cylinder Stat for Hi-Spec Non-Modairflow J50 & J65 Heaters	9
7. Factory Fitted Single Channel Clock, Pump & Cylinder Stat for Hi-Spec Modairflow J50 & J65 Heaters	10
8. Fully Independent Hot Water Time Control via Remote Clock, Pump & Cylinder Stat for Hi-Spec Basic J25, M31, J32 & J40 Heaters	11
9. Fully Independent Hot Water Time Control via Remote Clock, Pump & Cylinder Stat for Hi-Spec System E-T J25, M31, J32 & J40 Heaters	12
10. Fully Independent Hot Water Time Control via Remote Clock, Pump & Cylinder Stat for Hi-Spec Modairflow J50 & J65 Heaters	13
11. Fully Independent Hot Water Time Control via Remote Clock, Pump & Cylinder Stat for Hi-Spec Non-Modairflow J50 & J65 Heaters	14
12. Typical House Layout	15

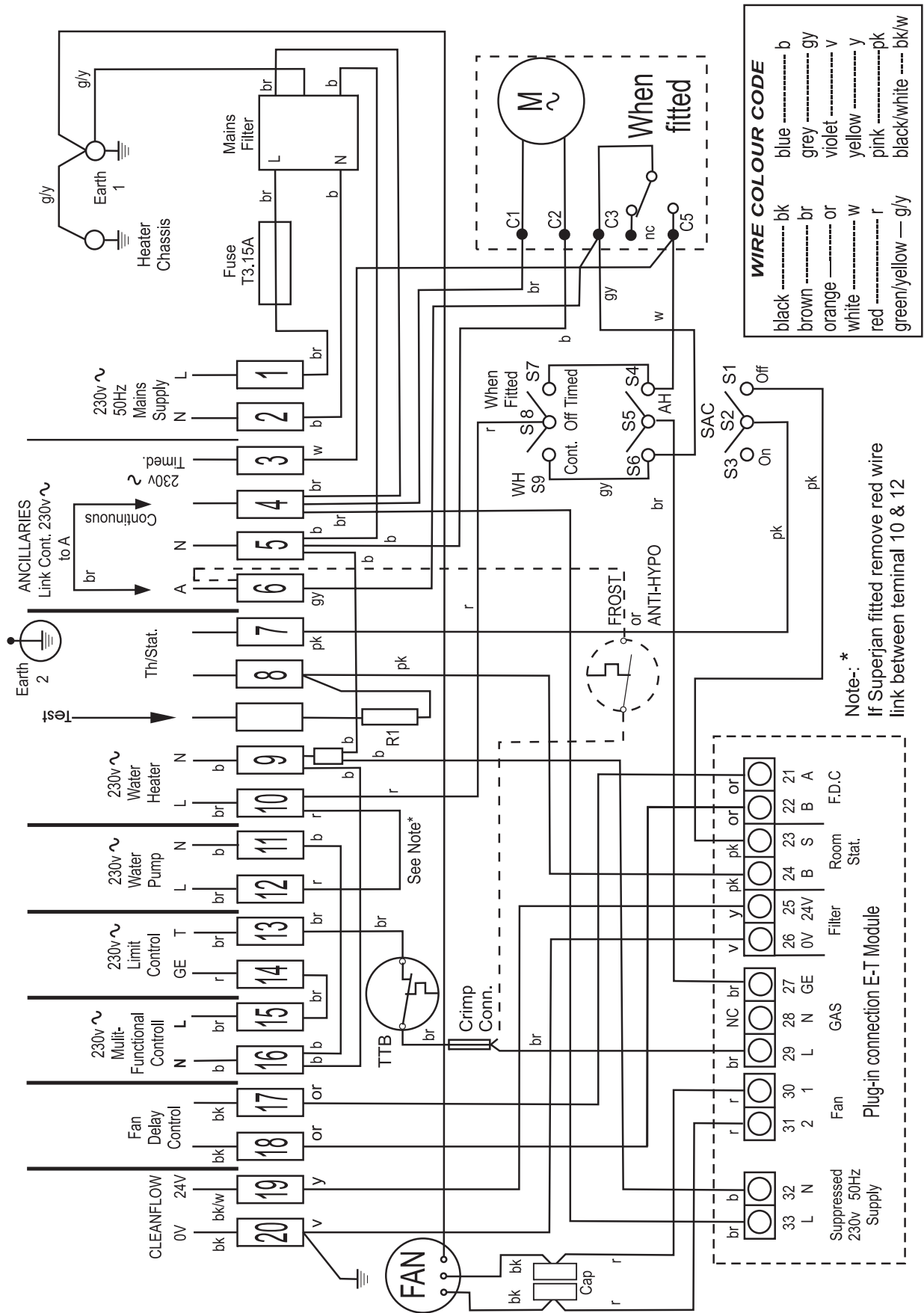
1. ORIGINAL CIRCUIT DIAGRAM FOR THE HI-SPEC BASIC J25, M31, J32 & J40 HEATERS

With single channel timer for air heater and water heater (when fitted) and before a cylinder-stat, pump and/or independent remote timer for water heater is fitted.



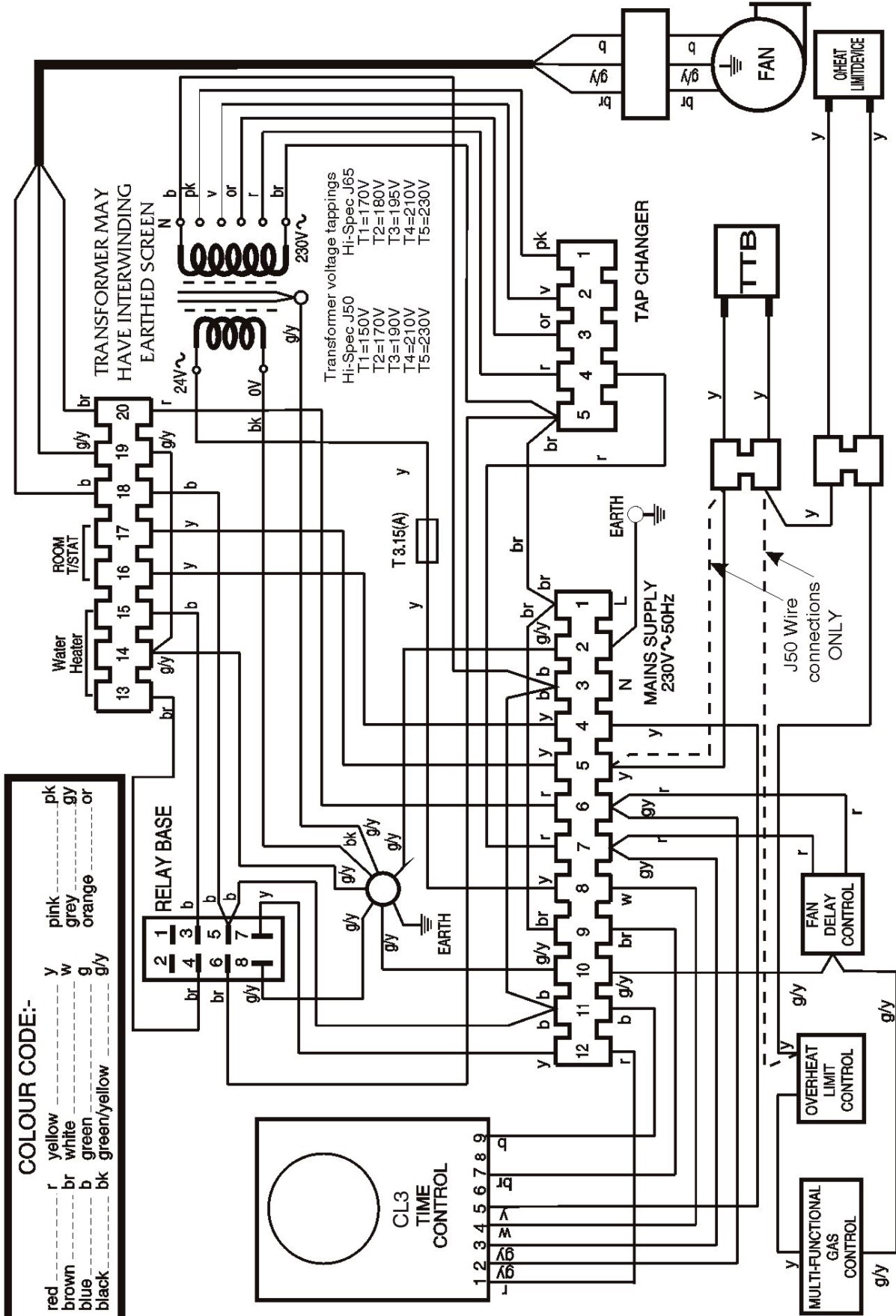
2. ORIGINAL CIRCUIT DIAGRAM FOR THE HI-SPEC SYSTEM E-T J25, M31, J32 & J40 HEATERS

With single channel timer for air heater and water heater (when fitted) and before a cylinder-stat, pump and/or independent remote timer for water heater is fitted.



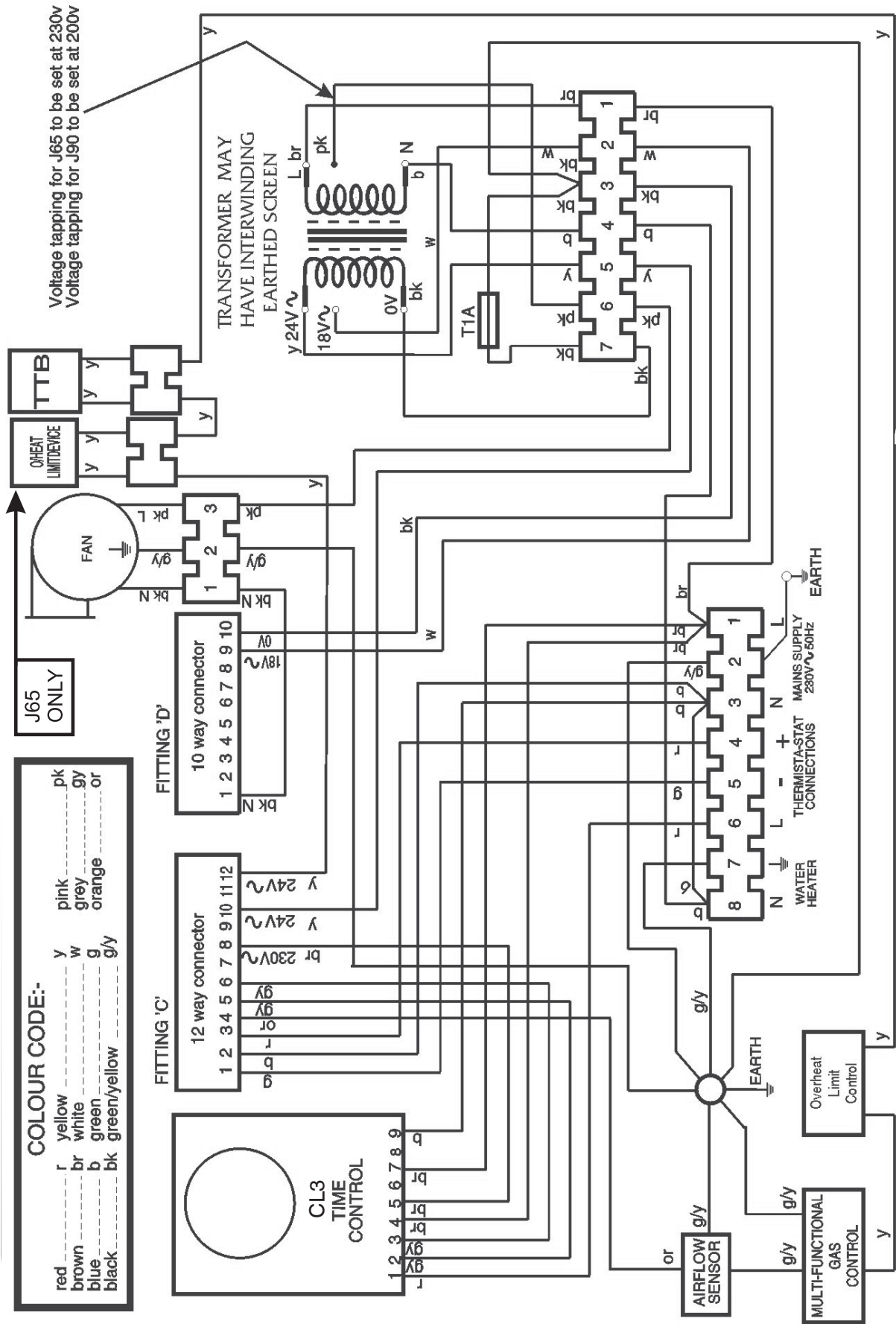
3. ORIGINAL CIRCUIT DIAGRAM FOR THE HI-SPEC NON-MODIARFLOW J50 & J65 HEATERS

With single channel timer for air heater and water heater (when fitted) and before a cylinder-stat, pump and/or independent remote timer for water heater is fitted.



4. ORIGINAL CIRCUIT DIAGRAM FOR THE HI-SPEC MODAIRFLOW J50 & J65 HEATERS

With single channel timer for air heater and water heater (when fitted) and before a cylinder-stat, pump and/or independent remote timer for water heater is fitted.



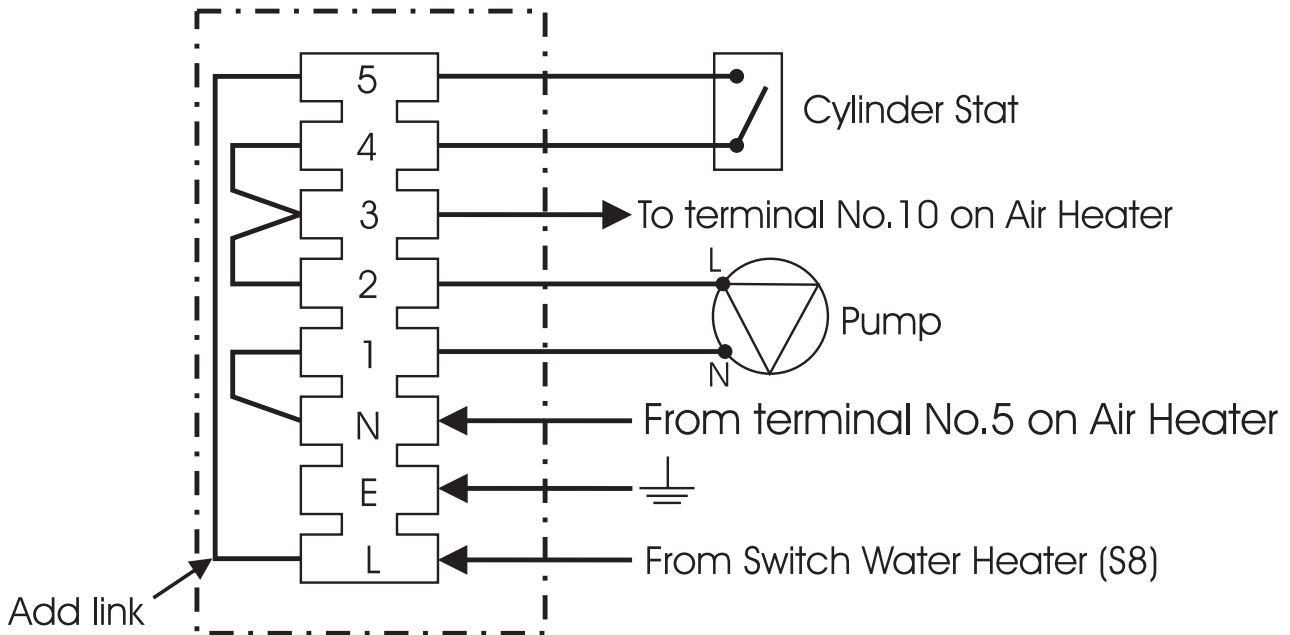
5. FACTORY FITTED SINGLE CHANNEL CLOCK + PUMP + CYLINDER STAT

SHARED SPACE HEATING & WATER HEATING TIME CONTROL, PUMP & INTERLOCK

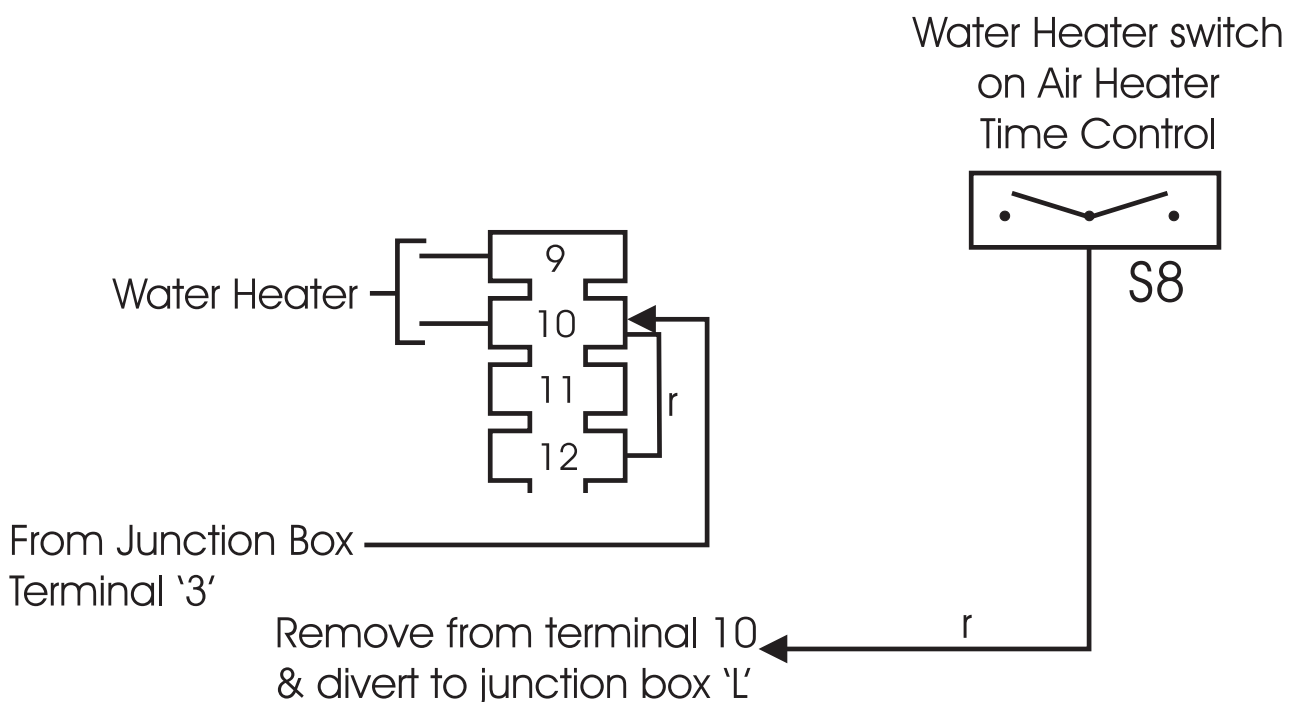
HI-SPEC BASIC & SYSTEM E-T J25, M31, J32 & J40 HEATERS

Junction Box

J&S Part No. 1000-0523475
(HONEYWELL 42002116-001)
or DANFOSS WB12



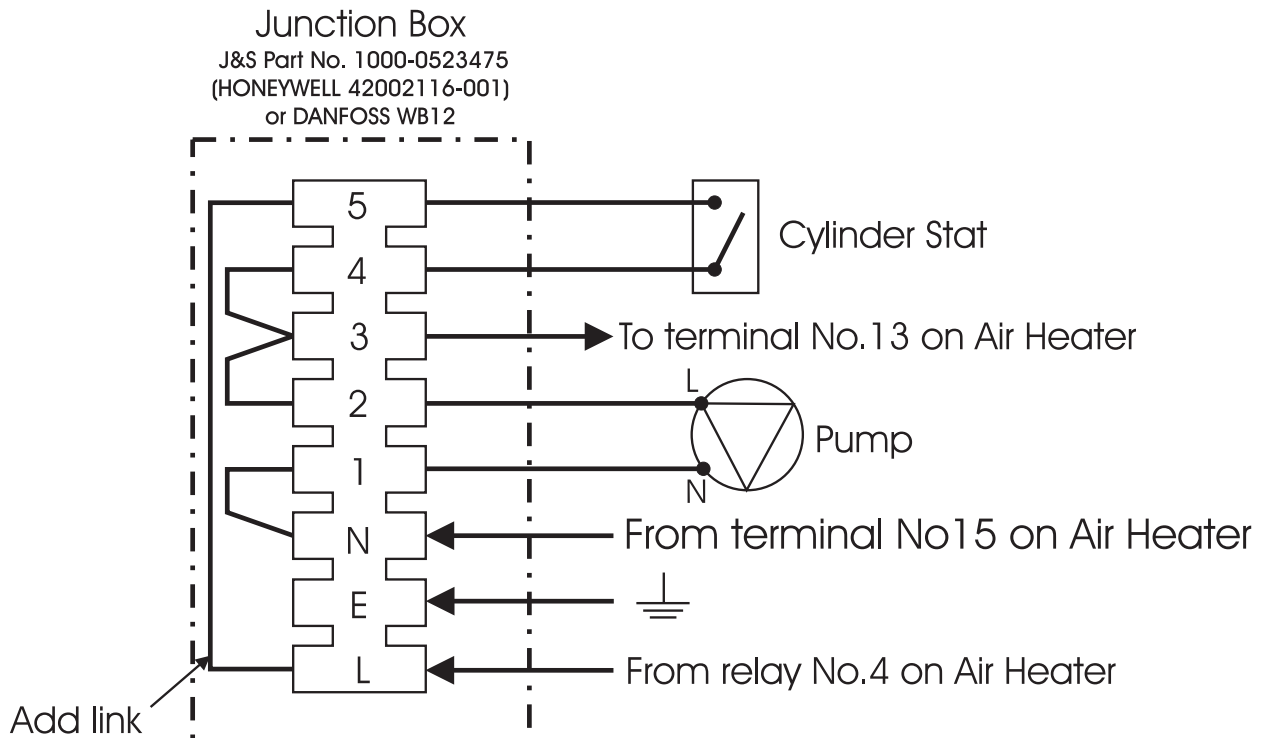
MODIFY AIR HEATER PANEL AS FOLLOWS:-



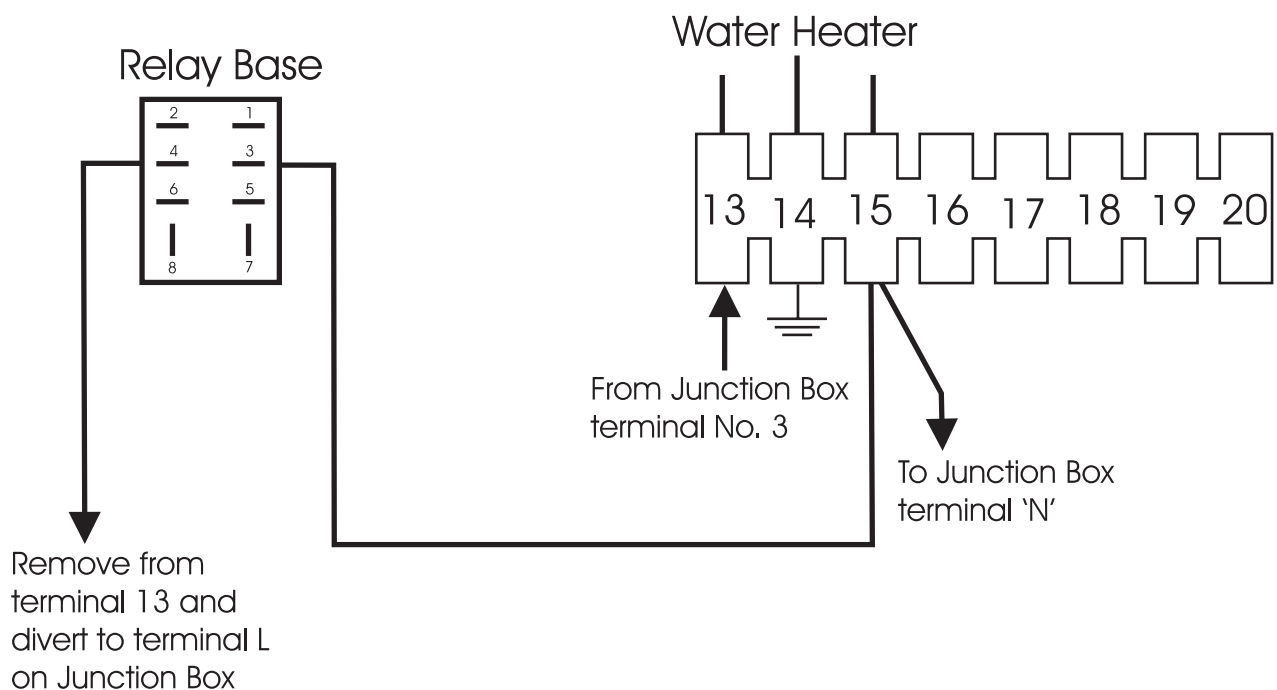
6. FACTORY FITTED SINGLE CHANNEL CLOCK + PUMP + CYLINDER STAT

SHARED SPACE HEATING & WATER HEATING TIME CONTROL, PUMP & INTERLOCK

HI-SPEC NON-MODAIRFLOW J50 & J65 HEATERS



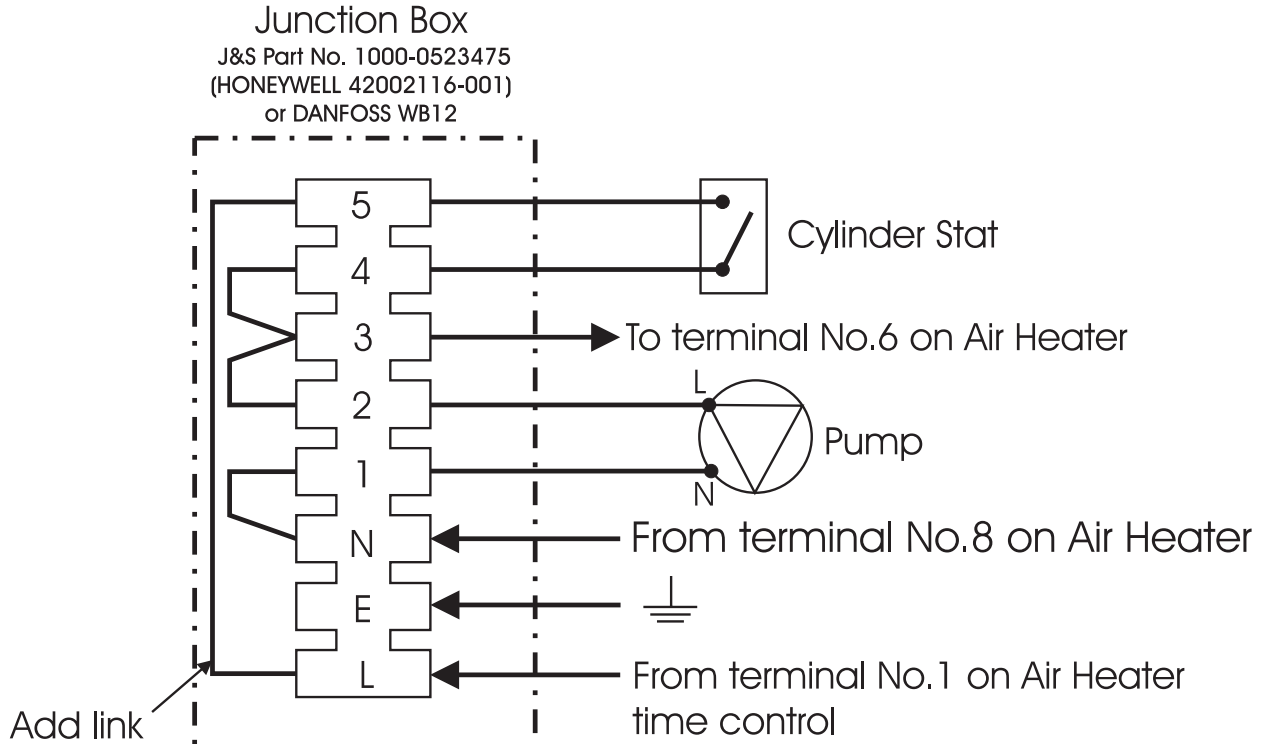
MODIFY AIR HEATER PANEL AS FOLLOWS:-



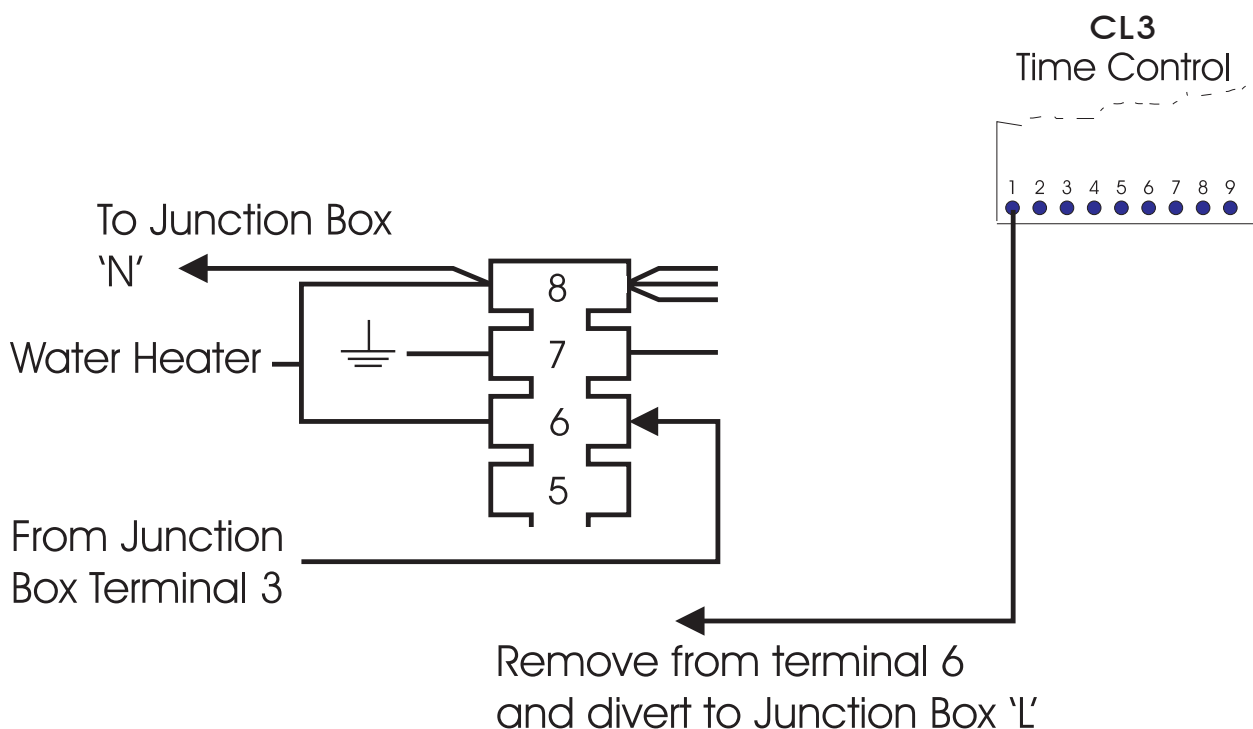
7. FACTORY FITTED SINGLE CHANNEL CLOCK + PUMP + CYLINDER STAT

SHARED SPACE HEATING & WATER HEATING TIME CONTROL + PUMP & INTERLOCK

HI-SPEC MODAIRFLOW J50 & J65 HEATERS



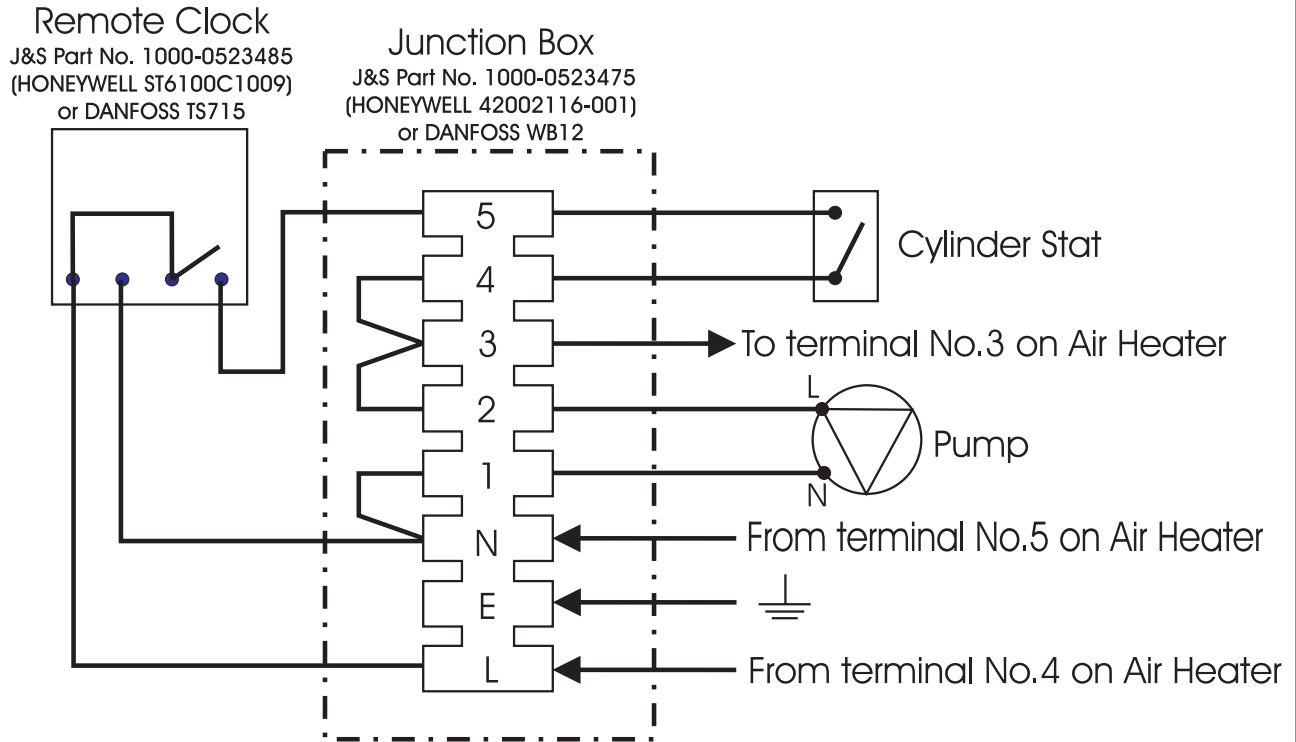
MODIFY AIR HEATER PANEL AS FOLLOWS:-



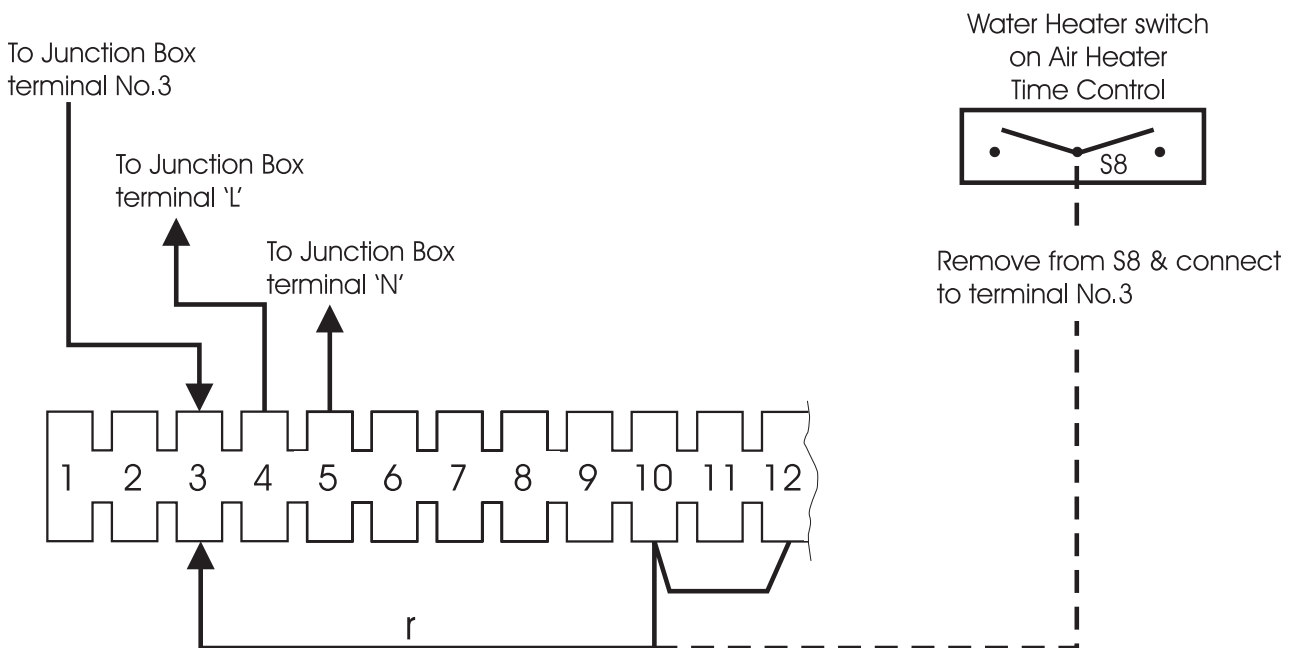
8. REMOTE CLOCK + PUMP + CYLINDER STAT

FULLY INDEPENDENT WATER HEATER TIME CONTROL + PUMP & INTERLOCK

HI-SPEC BASIC J25, M31, J32 & J40 HEATERS



MODIFY AIR HEATER PANEL AS FOLLOWS:-

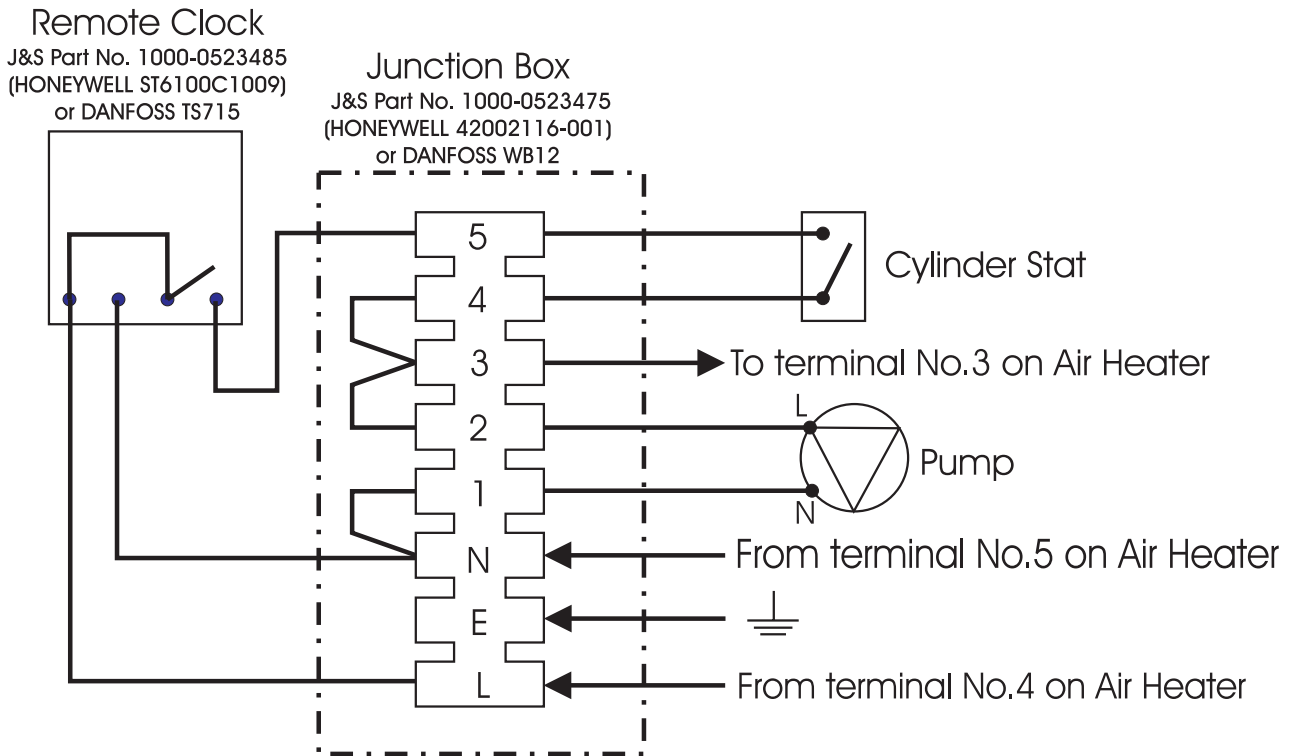


OPTIONAL: Remove links S9 to S6 grey and S4 to S7 white.
Remove switch and fit blank. J&S Part No. 1000-0522495

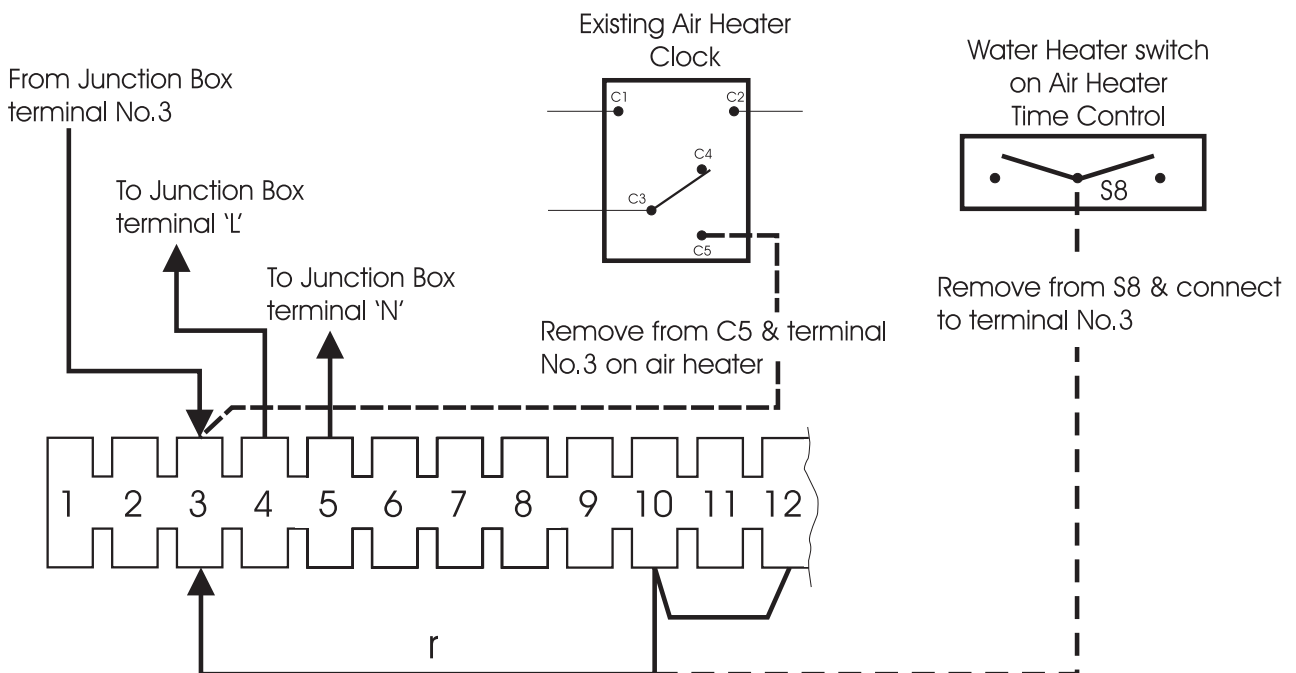
9. REMOTE CLOCK + PUMP + CYLINDER STAT

FULLY INDEPENDENT WATER HEATER TIME CONTROL, PUMP & INTERLOCK

HI-SPEC SYSTEM E-T J25, M31, J32 & J40 HEATERS



MODIFY AIR HEATER PANEL AS FOLLOWS:-

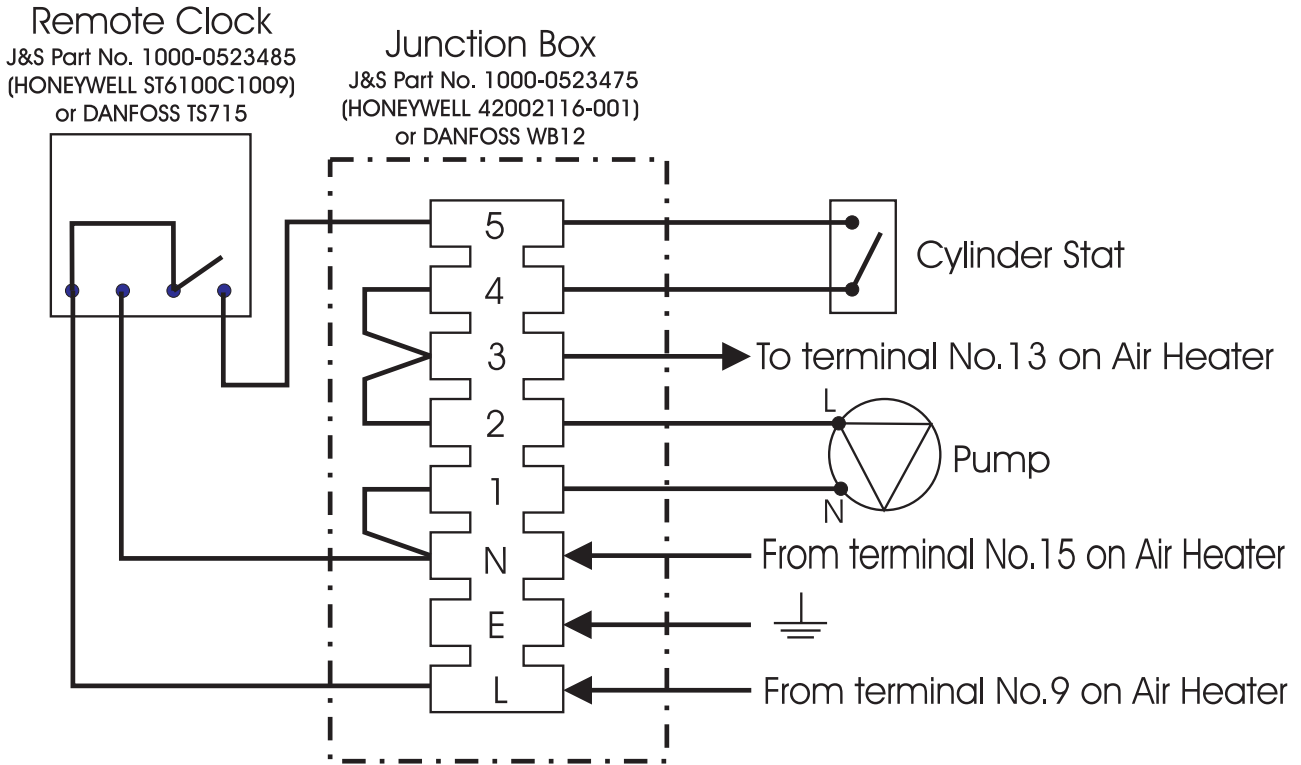


OPTIONAL: Remove links S9 to S6 grey and S4 to S7 white.
Remove switch and fit blank. J&S Part No. 1000-0522495

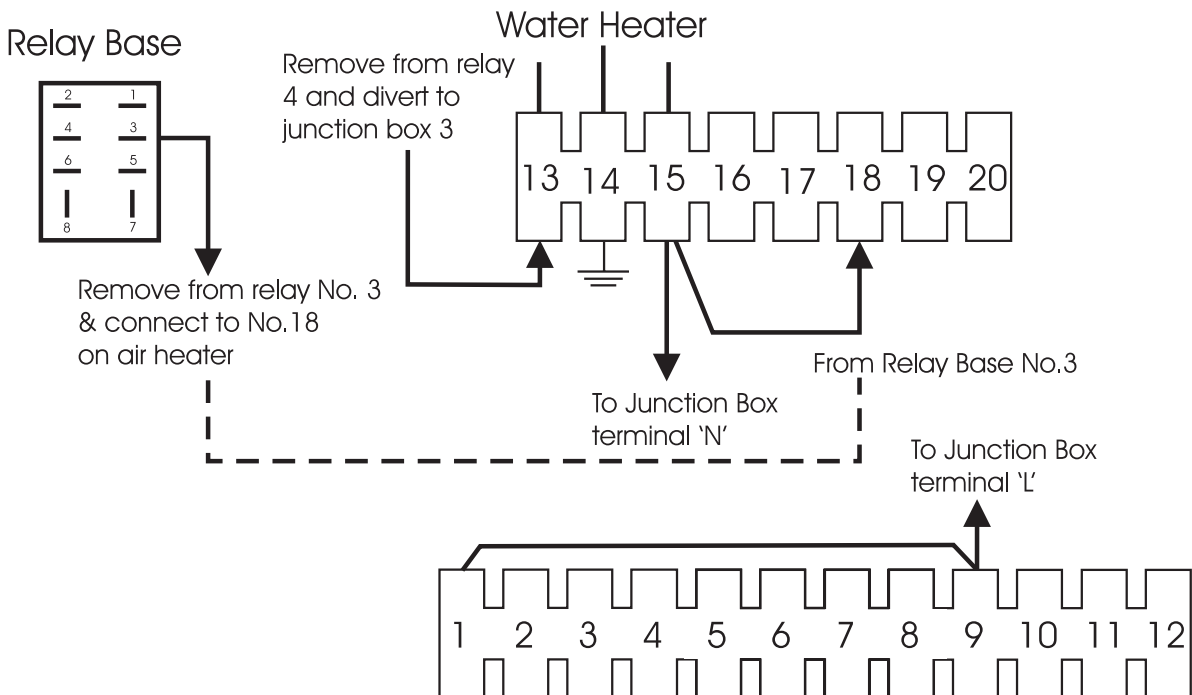
10. REMOTE CLOCK + PUMP + CYLINDER STAT

FULLY INDEPENDENT WATER HEATER TIME CONTROL, PUMP & INTERLOCK

HI-SPEC NON-MODAIRFLOW J50 & J65 HEATERS



MODIFY AIR HEATER PANEL AS FOLLOWS:-

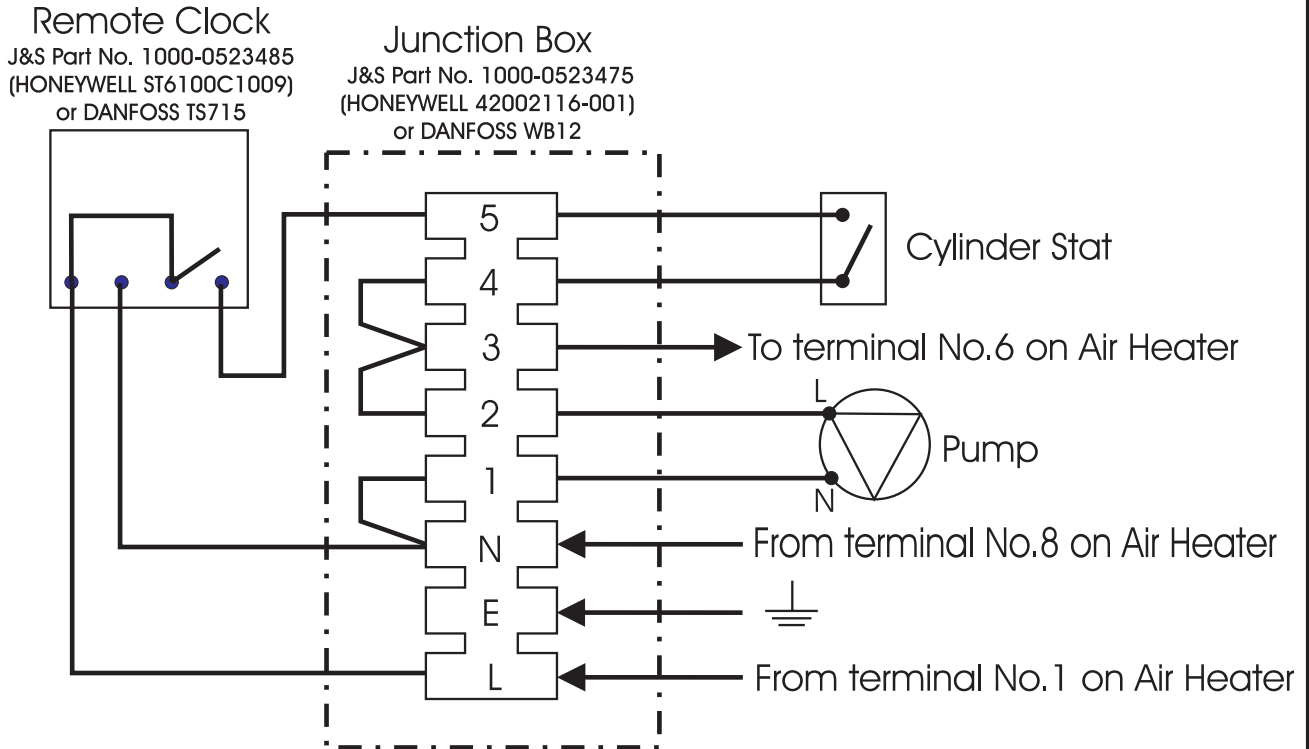


OPTIONAL: Fit cover over water heater switch on air heater.
J&S Part No. 1000-0501835

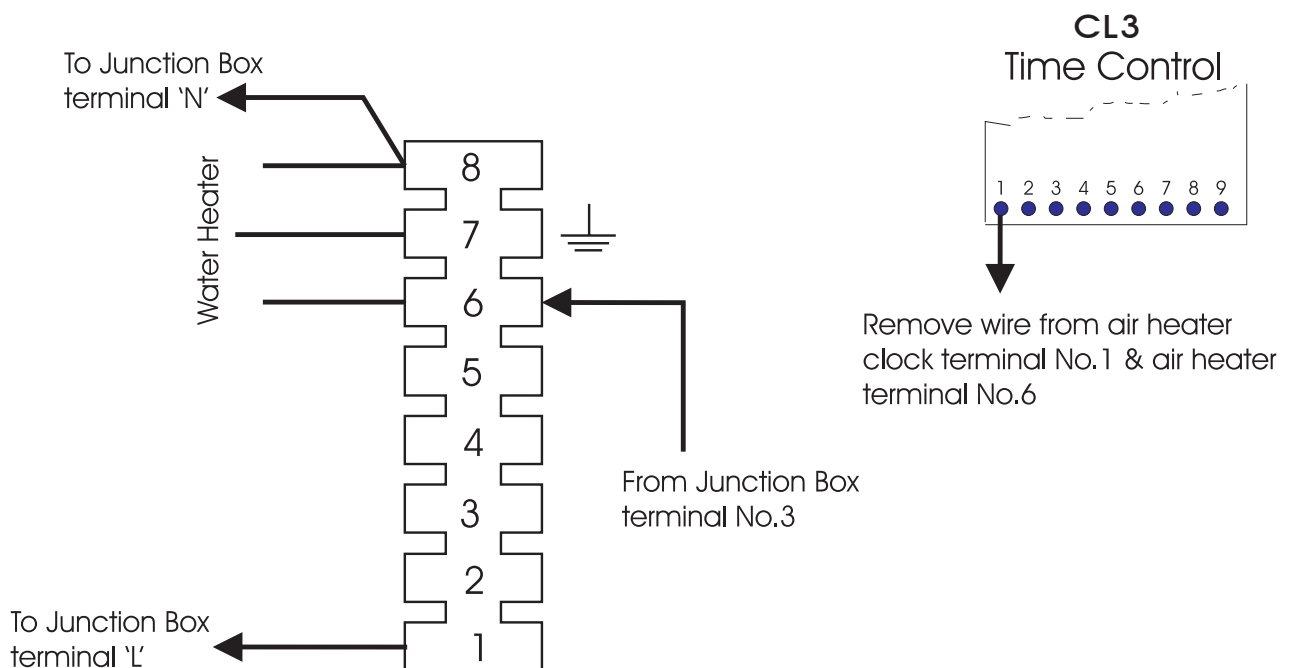
11. REMOTE CLOCK + PUMP + CYLINDER STAT

FULLY INDEPENDENT WATER HEATER TIME CONTROL, PUMP & INTERLOCK

HI-SPEC MODAIRFLOW J50 & J65 HEATERS



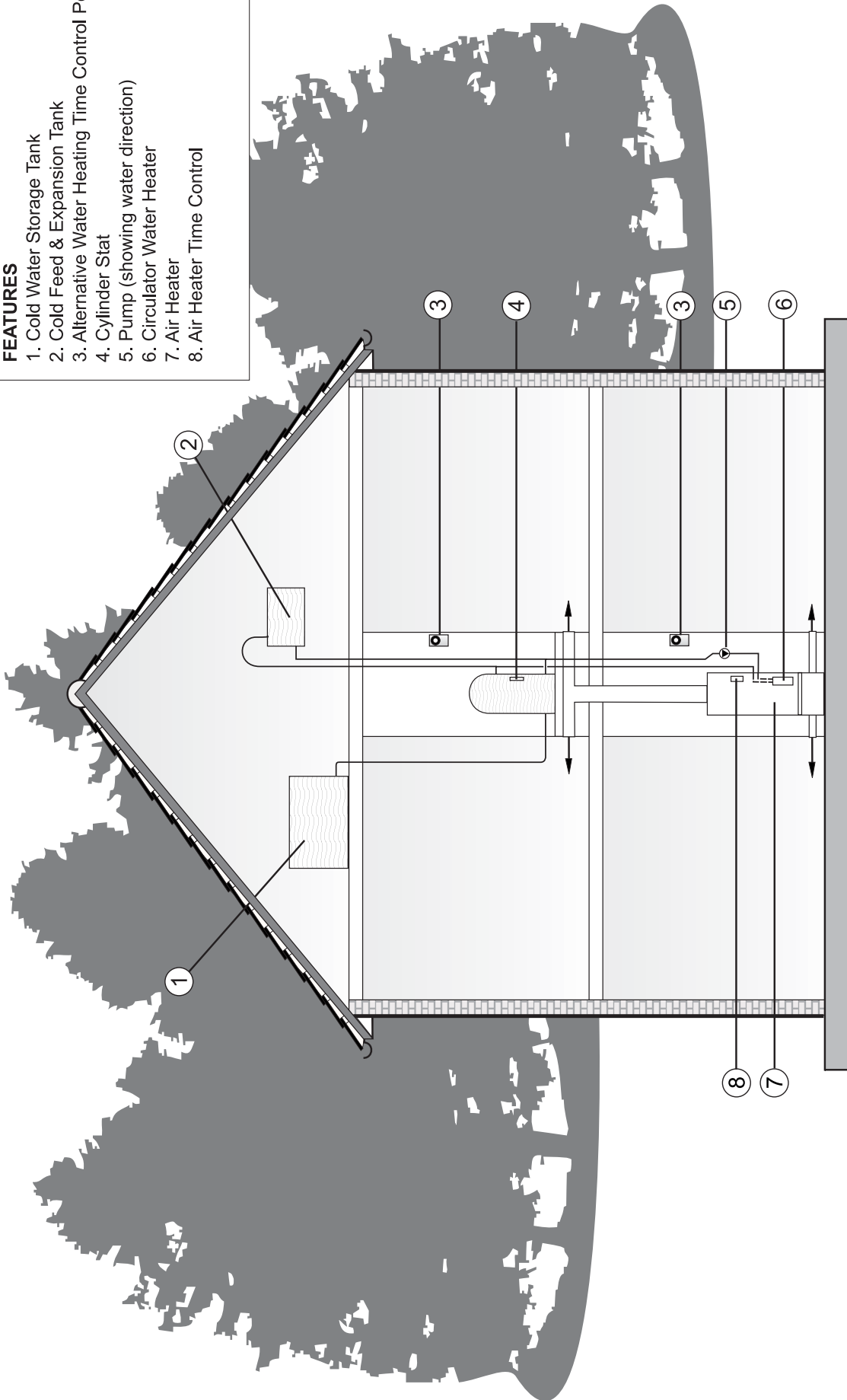
MODIFY AIR HEATER PANEL AS FOLLOWS:-



OPTIONAL: Fit cover over water heater switch on air heater.
J&S Part No. 1000-0501835

FEATURES

- 1. Cold Water Storage Tank
- 2. Cold Feed & Expansion Tank
- 3. Alternative Water Heating Time Control Positions
- 4. Cylinder Stat
- 5. Pump (showing water direction)
- 6. Circulator Water Heater
- 7. Air Heater
- 8. Air Heater Time Control



TYPICAL HOUSE LAYOUT

Johnson and Starley prides itself on it's ability to supply spare parts quickly and efficiently. If your service engineer indicates a problem in obtaining a spare part, advise him to contact Johnson and Starley Spares Department at the address below.



Rhosili Road, Brackmills, Northampton NN4 7LZ
Main Switchboard Tel: 01604 762881 Fax: 01604 767408
Spares Tel: 01604 707012 Fax: 01604 764879
Service Tel: 01604 707011 Fax: 01604 707017
www.johnsonandstarley.co.uk